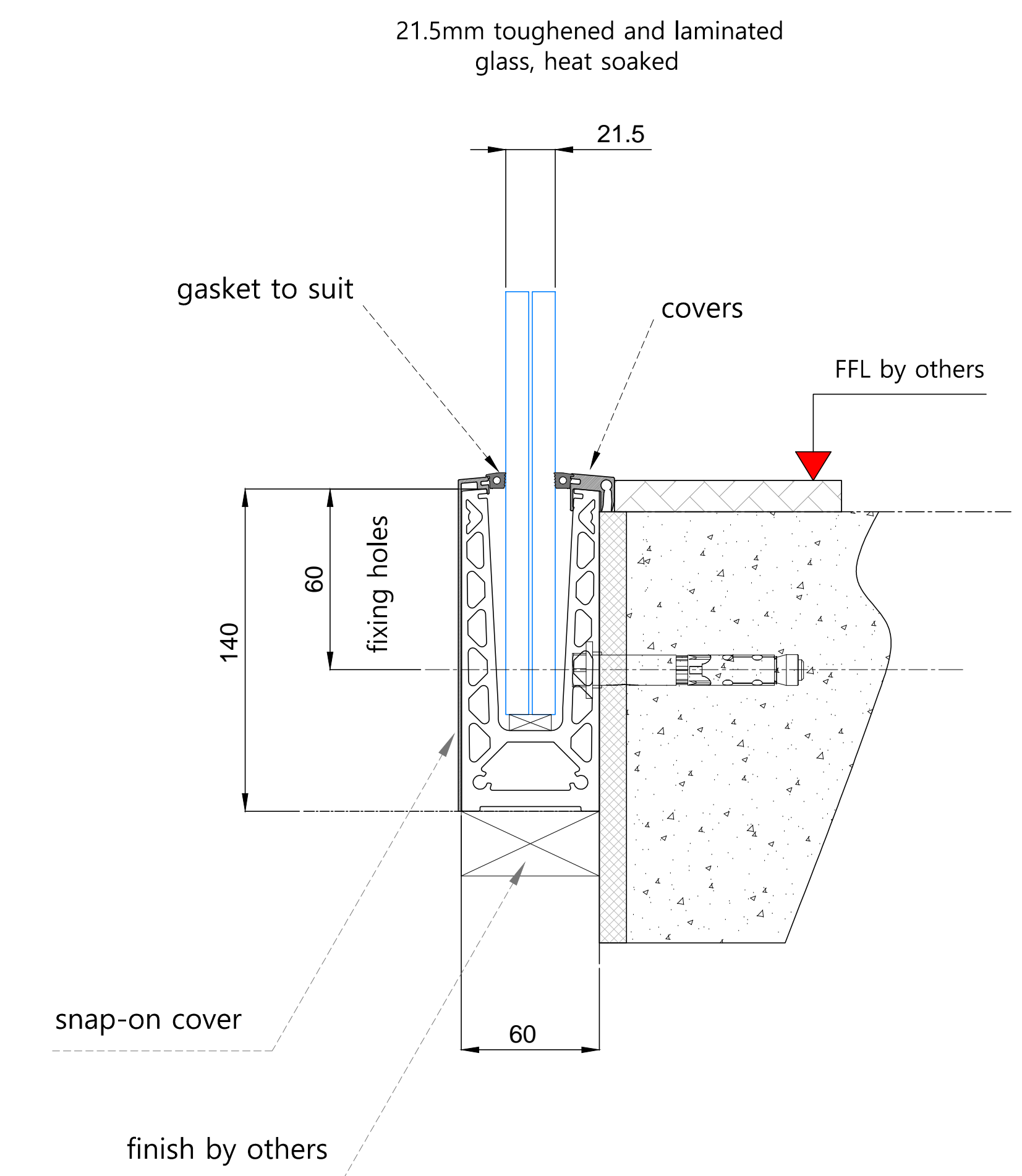


A UNIFORMLY DISTRIBUTED LOAD APPLIED (kN/M²)

Extract from BS 6180:-

Deflection
 6.4.1 Barriers for protection of people
 Barriers for the protection of people should be of adequate strength and stiffness to sustain the applied loads given in BS 6399, without permanent deflection or distortion.

To all sharp corners an minimum 5mm radius must be applied.



Sky Glass Ltd Unit 5
 255 Water Road, HA0 1JW
 t: 0208 7400 040
 Direct: 0203 968 7332
 e: sales@skyglass.co.uk

Title :
 General arrangements detail for
 21.5mm toughened and laminated glass
 balustrade, heat soaked, side fixed,
 polished edges all around.

ALL DIMENSIONS ARE IN MILLIMETRES
 UNLESS OTHERWISE STATED.

Customer / Site address :

This drawing and any associated design intent information in any format are the property of SKYGLASS LTD.
 Copyright is reserved by SKYGLASS LTD.
 This document is issued on condition if is NOT copied, amended or disclosed in any way or to any unauthorised person
 without the prior consent in writing of SKYGLASS LTD.

Drawn : Florin Lefter
 Checked : Saman Mojab
 Approved : **TBC by customer prior manufacture**
 Date : 28.02.2019
 DRG. No. 280219 Proposed

General arrangements detail for
 21.5mm toughened and laminated glass
 balustrade, side fixed, heat soaked.