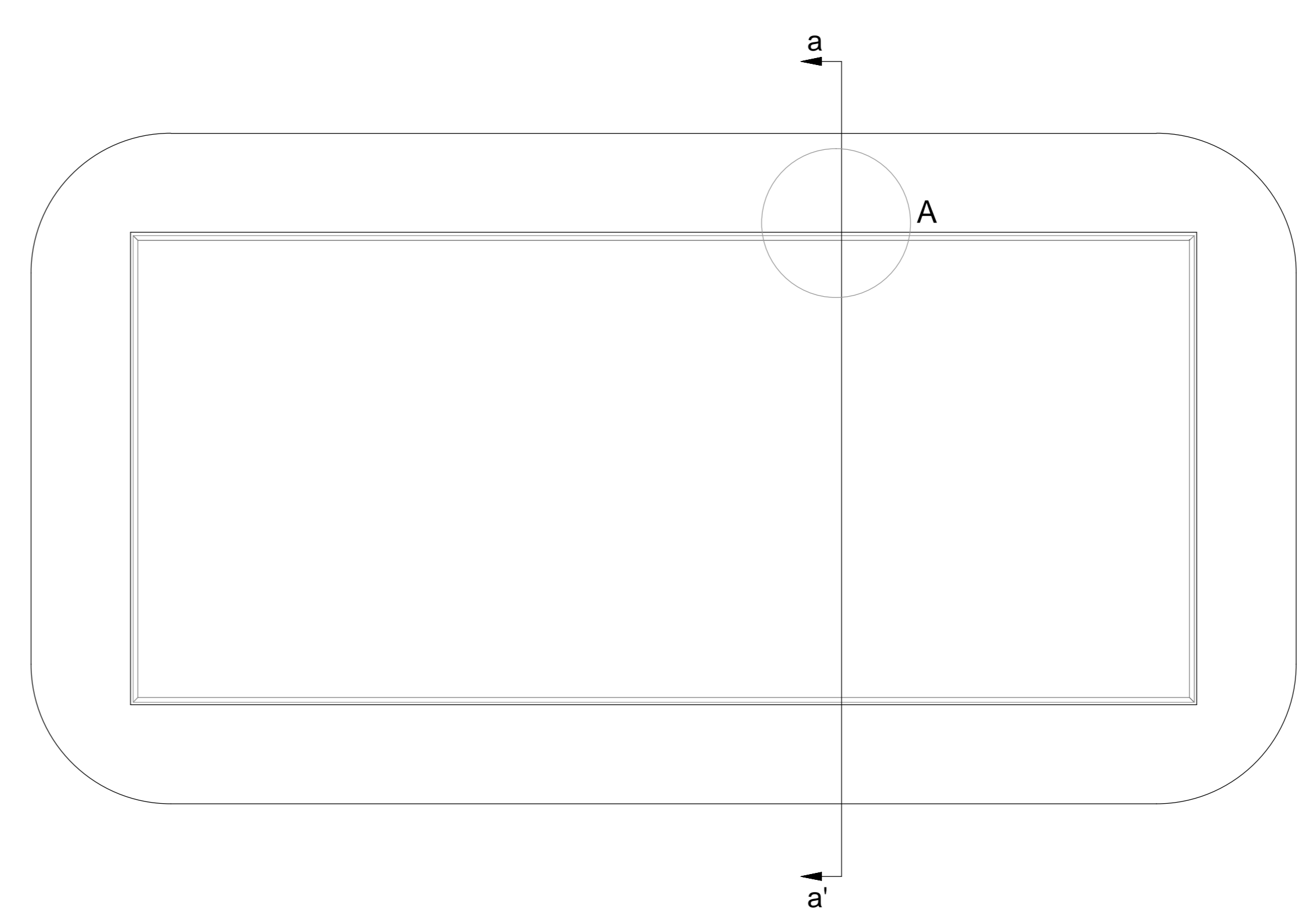
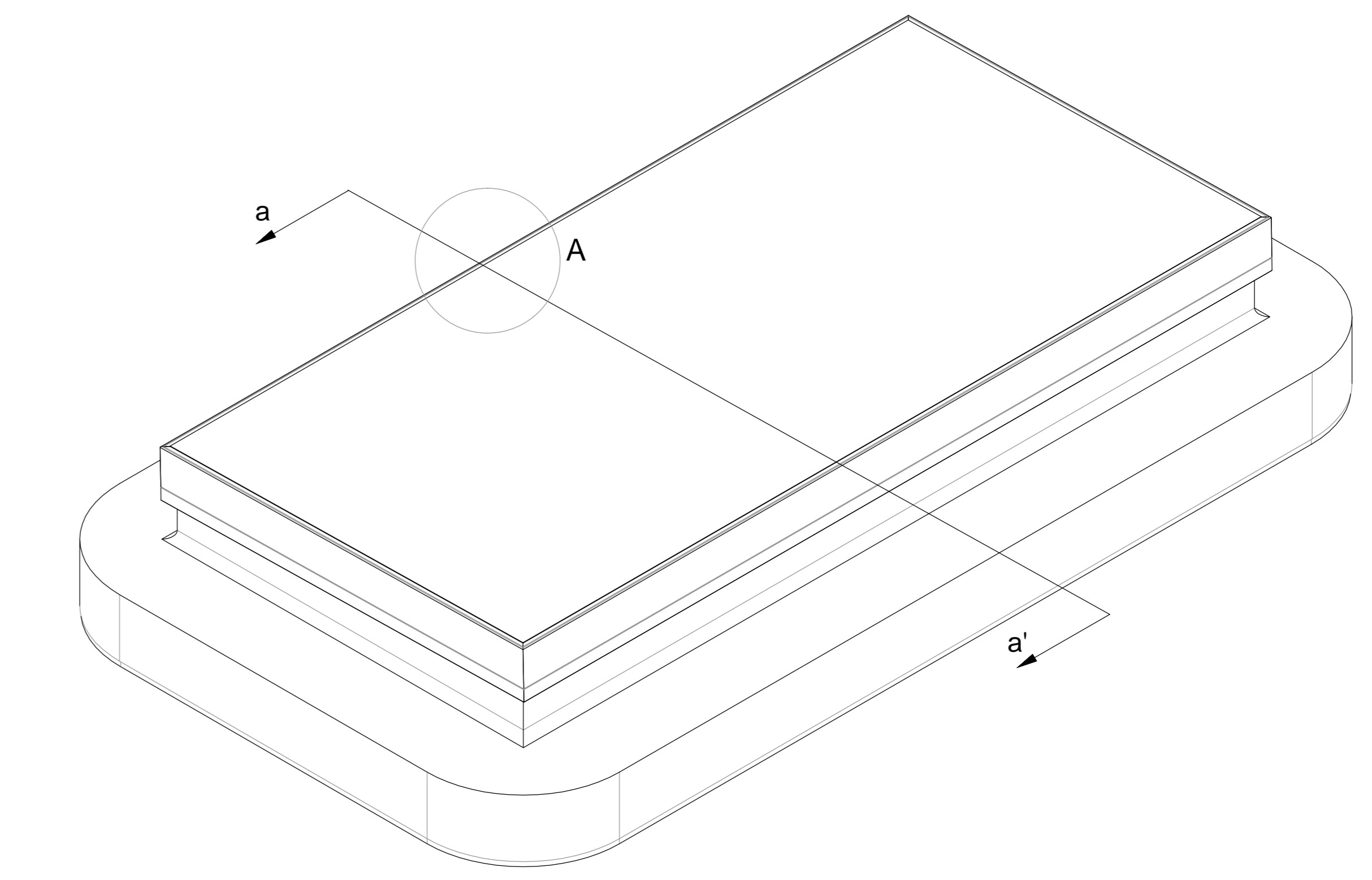


Detail A through section a-a'



Disclaimer :
 Skyglass Ltd continuously improves its products and services and therefore reserves the right to modify, alter or change the design details.
 Any change will be made at our discretion and without the need for prior notice.
 The copyright for this drawing belongs to and is the sole property of Skyglass Ltd.
 The design and information contained in this drawing is private and confidential. It must not be duplicated, presented in any way or communicated to any third party. It must not be used for any purpose other than that for which it was originally issued without the written consent of Skyglass Ltd.

- General Notes :**
1. Do not scale from drawings
 2. Contractor is to cross check with architect / project manager if uncertainty may arise
 3. Working drawings is to be thoroughly analysed by the general contractor before the commencement of the construction
 4. All dimensions are in millimetres(mm) & levels in meters(m) unless noted otherwise.
 5. This drawing to be read in conjunction with all relevant specifications.
 6. All work to comply with the relevant British Standards, GGF Codes of Practice and Building Regulations if non exempt.

Date	Issue	Revision	Initial
30.08	B	Frame, notes, & glass update	FDL
26.08	A	Frame, notes, & glass update	FDL

Project Title :
Fixed Rooflight

Sheet Title :
Detailed Section

Client's Reference : **0001** Dwg Reference : **0001**

Designed By : **SKYGLASS LIMITED**
 Drawn By : **Florin Dan Lefter**
 Date : **August 2019**
 Scale : **As Shown @ A3**

Sheet No.
A-01

